



Main Features:-

- ◆ Flanged PN16
- ◆ Cast Iron Body & Bonnet, Stainless Steel Disc
- ◆ Stem & Seat, Graphite Packing
- ◆ Rated PN16
- ◆ Temperature -10°C to 300°C

*Temperature and pressure determined by valve body, seat etc.

Suitable Applications & Approvals:

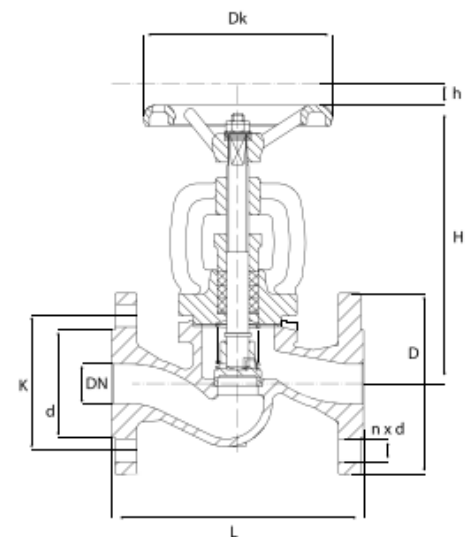


SERIES: 30105

MANUFACTURER: **AVOL**
INDUSTRIAL VALVES

VALVE DIMENSIONS

Name	Materials
Body	Cast Iron
Seat Ring	X12Cr13
Bonnet	Cast Iron
Disc	X12Cr13
Stem	X12Cr13
Hand Wheel	Cast Iron
Gland Packing	Graphite
Hexagon Bolt	8.8 Steel
Gasket	Graphite & NiCr
Gland	Cast Iron
T Bolt	Zinc Galvanized 5.8 Steel
Nut	Zinc Galvanized 8 Steel
Spring	X17CrNi16
Washer	Zinc Galvanized Carbon Steel
Nut	Zinc Galvanized 8 Steel



DN	D	d	K	nxd	Dk	h	L	H	Kv	Kg
15	95	46	65	4x14	100	5	130	167	5.9	3.3
20	105	56	75	4x14	100	5.5	150	167	7.4	3.9
25	115	65	85	4x14	120	7	160	175	13	5
32	140	76	100	4x19	120	14	180	186	18	6.6
40	150	84	110	4x19	160	20	200	235	30	8.4
50	165	99	125	4x19	160	25	230	248	41	12
65	185	188	145	4x19	180	35	290	260	79	17.3
80	200	132	160	8x19	200	41	310	291	115	22.7
100	220	156	180	8x19	250	31	350	338	181	35.8
125	250	184	210	8x19	250	48	400	384	225	52.8
150	285	211	240	8x23	320	54	480	429	364	74.2
200	340	266	295	12x23	360	77	600	529	690	126



T +44 (0)1386 552369

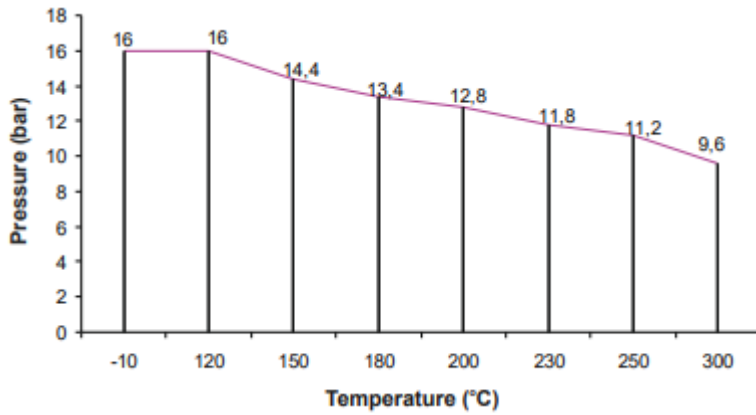
E sales@allvalves.co.uk

W www.allvalves.co.uk

F +44 (0)1386 554227



Pressure/ Temperature Chart



ALL VALVES ONLINE

Offering a full range of actuated valve packages, manual valve range, pipe fittings and pumps, we have a product for all your requirements. As an ISO 9001-2015 Quality Approved and certified company, All Valves offer a quality service from pre-sale to post sale. Shipping millions of pounds in value of manual valve and actuated valve packages all over the world since its formation, All Valves are a trusted valve and actuator supplier to many companies all over the world. Working with the leading brands in most industries.

PRESSURE/TEMPERATURE CHART

